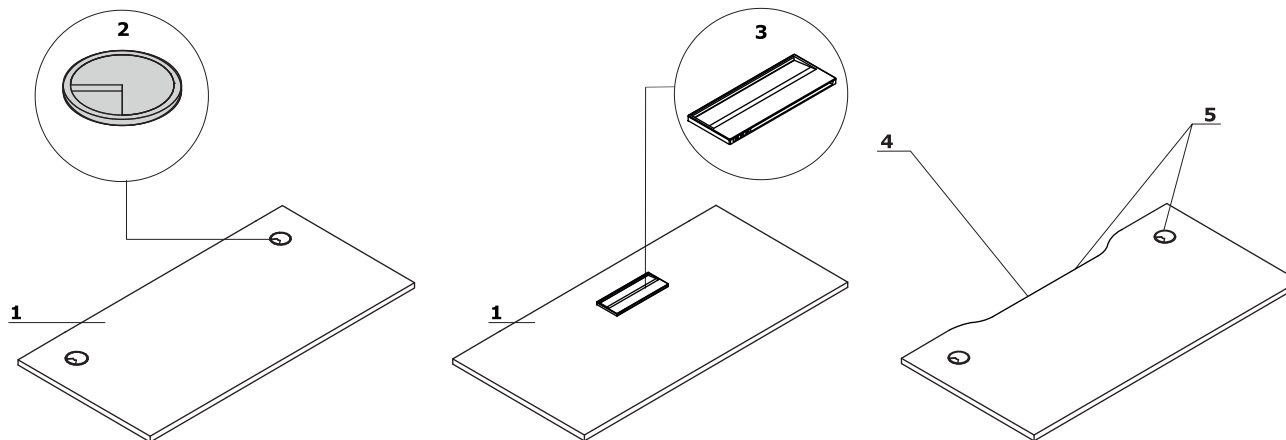


Worktop

- 1 Worktop** - MFC 1 1/8" (28 mm), ABS edge
1/8" (2 mm)

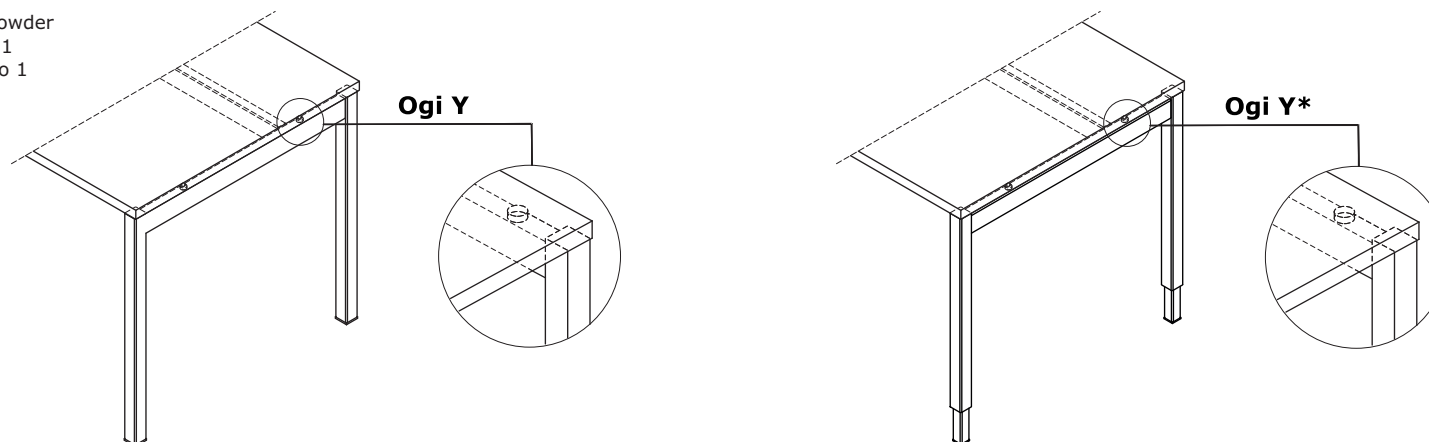
OPTIONS WITH EXTRA CHARGE:

- 2 Grommet** - 2 pcs, Ø3 1/8" (Ø80 mm)
3 Top access M15 - 3 x USB C
4 Cable way - the width of the opening is proportional to the width of the worktop
5 Cable way + cable grommets - desks (78\$), bench desks (156\$)



Frame

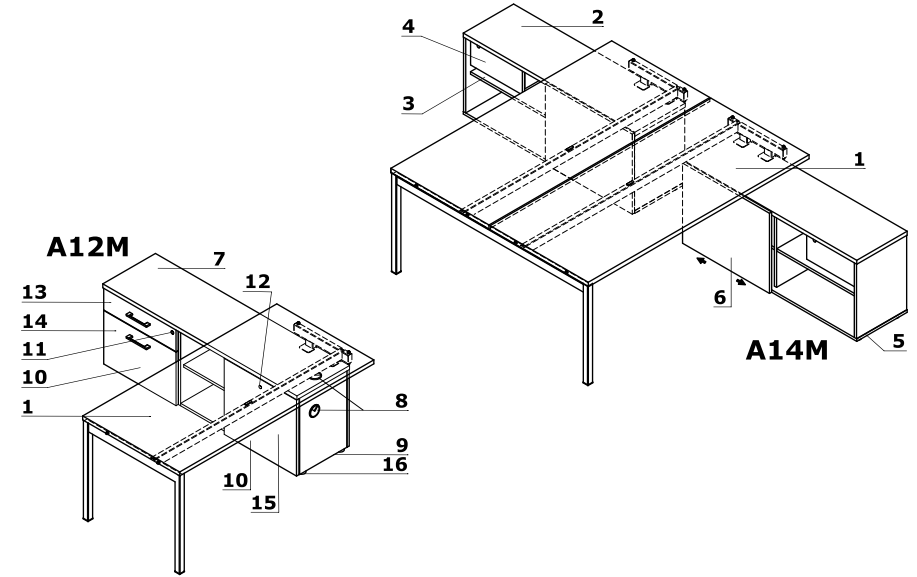
- Ogi Y** - powder coated steel, profile 1 5/8" x 1 5/8" (40 x 40 mm), spacer 3/8" (10 mm) between top and frame
Ogi Y - with manual height adjustment 25 2/8" - 33 7/8" (640 - 860 mm), every 6/8" (20 mm)* - powder coated steel, telescopic profile: 1 1/8" x 1 1/8" (30 x 30 mm) into 1 5/8" x 1 5/8" (40 x 40 mm)



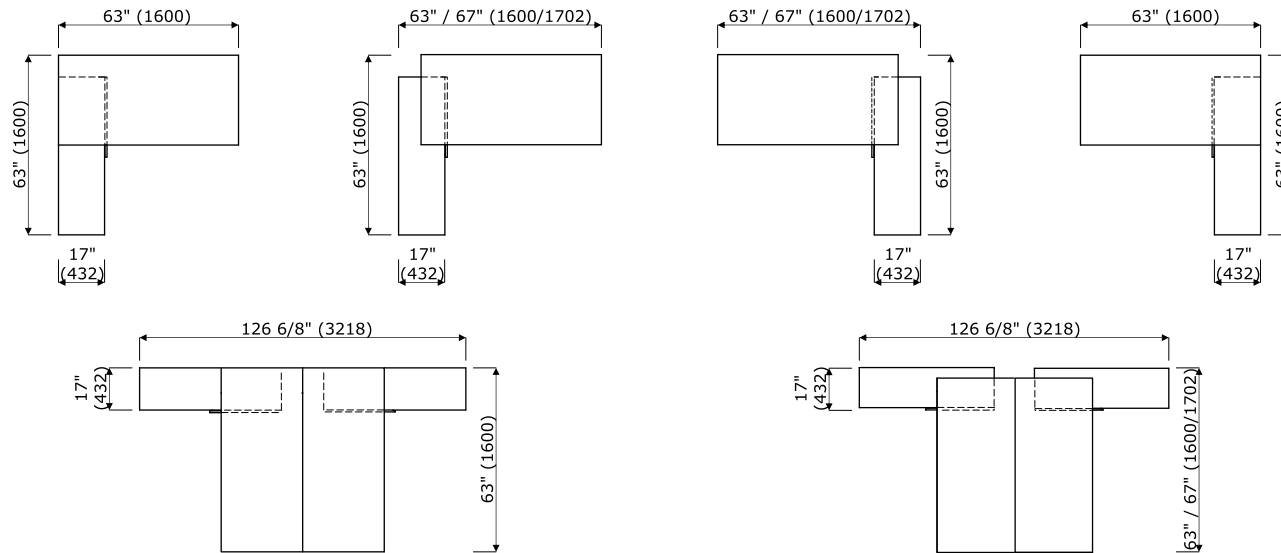
Desk with managerial storage

A14M:

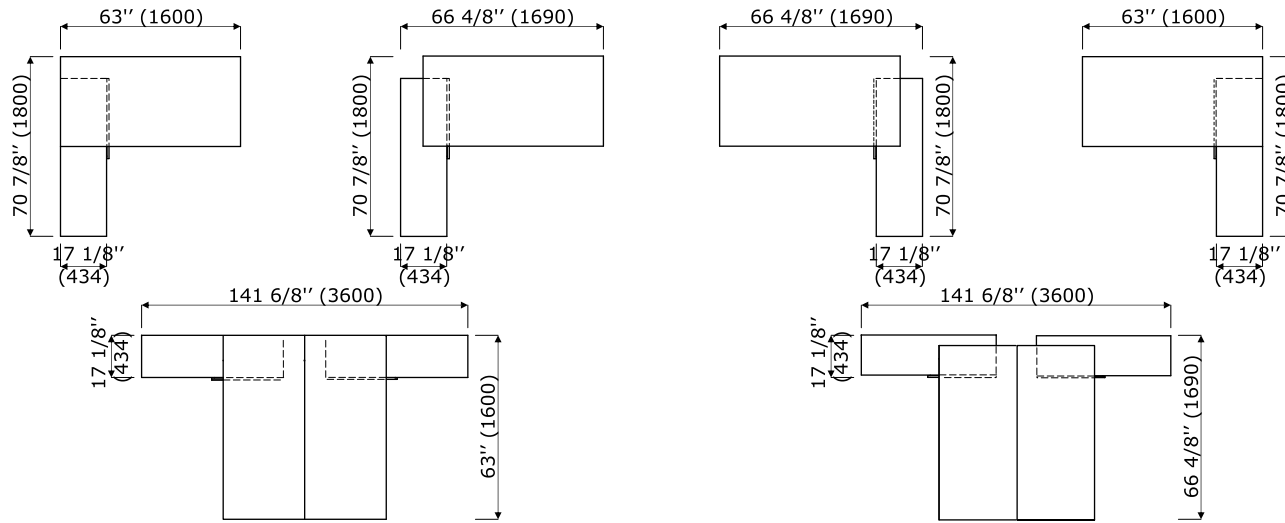
- 1 Worktop** - MFC 1 1/8" (28 mm), ABS edge 1/8" (2 mm)
- 2 Top** - MFC 1 1/8" (25 mm), ABS edge 1/8" (2 mm)
- 3 Shelf** - MFC 6/8" (18 mm), protection against accidental falling-out, ABS edge 1/8" (2 mm), max load 30 kg
- 4 Drawer** - MFC 6/8" (18 mm), ABS edge 1/8" (2 mm), patent lock - possible to change locatio
- 5 Base** - MFC 6/8" (18 mm), ABS edge 1/8" (2 mm)
- 6 Front** - MFC 6/8" (18 mm), ABS edge 1/8" (2 mm)
- A12M - OPTION WITH EXTRA CHARGE:**
- 7 Top** - MFC 1 1/8" (25 mm), ABS edge 1/8" (2 mm)
- 8 Cable grommets** - Ø3 1/8 (Ø80 mm)
- 9 Base** - MFC 6/8" (18 mm), ABS edge 1/8" (2 mm)
- 10**
- 11 Central lock** - foldable key
- 12 Patent lock**
- 13 Metal drawer** - roll runners, max load 25 kg, 80% extraction, anti-tilt mechanism
- 14 Suspension files drawer** - with bottom, ball runners, max load 45 kg, 100% extraction, Push-to-Open
- 15 Drawer with bottom** - ball runners, max. load 40 kg, 100 % extraction, push-to-open, enough space for computer
- 16 Leveling feet** - range 2/8" (5 mm)



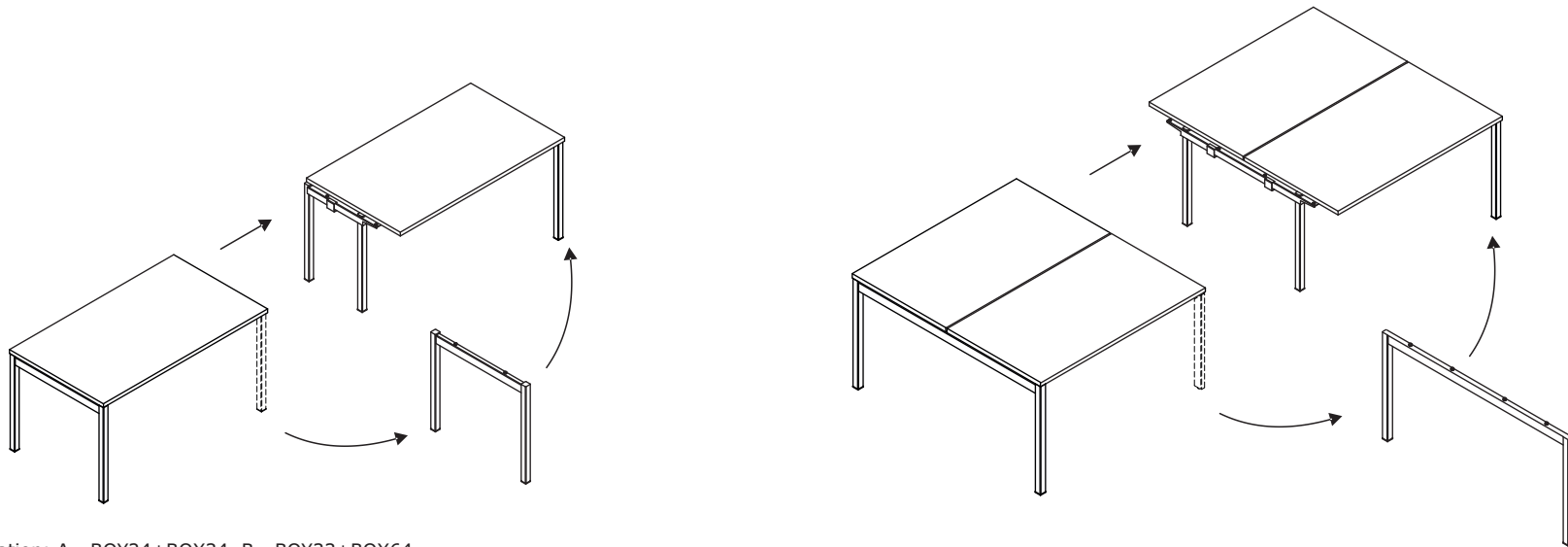
Configuration examples - desk with managerial storage - A14M (inch/mm)



**Configuration examples - desk with managerial storage - A12M
(inch/mm)**



Expansion of single and bench desks



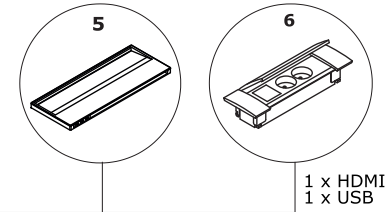
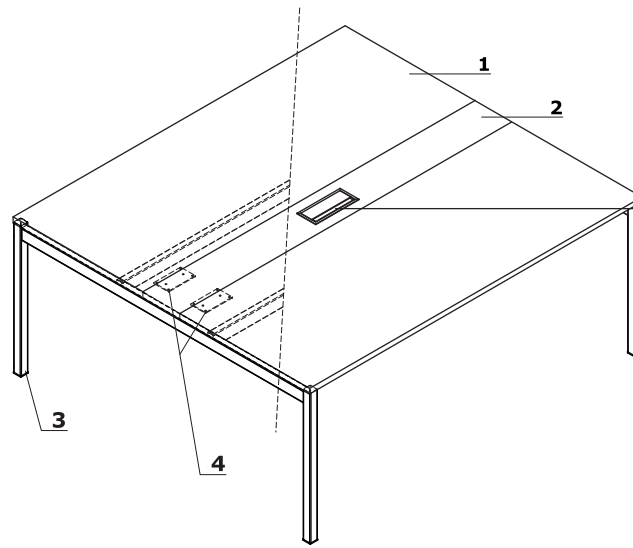
Example configuration: A - BOY24+BOX34, B - BOY33+BOX64

Conference table

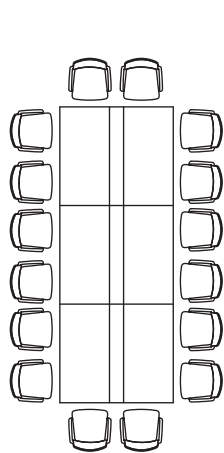
- 1 **Worktop** - MFC 1 1/8" (28 mm), ABS edge 1/8" (2 mm)
- 2 **MFC element** - without mediabox as standard
- 3 **Leg** - powder coated steel, profile 1 5/8" x 1 5/8" (40 x 40 mm)
- 4 **Fixing flat bar**

OPTIONS WITH EXTRA CHARGE:

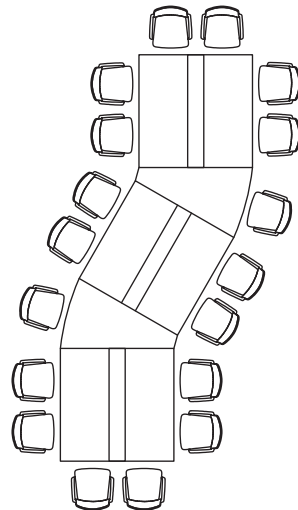
- 5 **Top access M15** - 3 x USB C
- 6 **Mediabox M06H** - OPTION WITH ADDITIONAL CHARGE - 2x120V+HDMI+USB, colour: anodised aluminium, white, black



Chairs arrangement



SY04 + 2x SY14



3x SY24 + 2x BOX50